

10A05G~10A10G

GENERAL PURPOSE PLASTIC RECTIFIER

VOLTAGE 50 to 1000 Volt **CURRENT** 10 Ampere

R-6

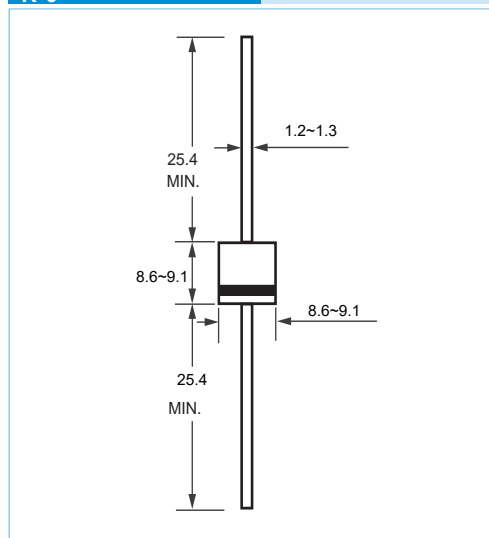
Unit:mm

FEATURES

- High current capability
- High surge current capability
- Low Forward Voltage Drop
- Glass passivated chip junction
- Moisture Sensitivity Level 1
- Lead free in compliance with EU RoHS 2.0

MECHANICAL DATA

- Case Material: Molded Plastic.
- UL Flammability Classification Rating 94V-0



MAXIMUM RATINGS AND ELECTRICAL CHARACTERISTICS

Ratings at 25°C ambient temperature unless otherwise specified.

PARAMETER	SYMBOL	10A05G	10A1G	10A2G	10A4G	10A6G	10A8G	10A10G	UNITS
Maximum Recurrent Peak Reverse Voltage	V_{RRM}	50	100	200	400	600	800	1000	V
Maximum RMS Voltage	V_{RMS}	35	70	140	280	420	560	700	V
Maximum DC Blocking Voltage	V_{DC}	50	100	200	400	600	800	1000	V
Maximum Average Forward Current (see FIG.1)	$I_{F(AV)}$	10							A
Peak Forward Surge Current : 8.3ms single half sine-wave superimposed on rated load	I_{FSM}	250							A
Maximum Forward Voltage at 10 A	V_F	1.10							V
Maximum DC Reverse Current at Rated DC Blocking Voltage $T_A=25^{\circ}C$ $T_A=100^{\circ}C$	I_R	5 100							μA
Typical Junction Capacitance (Note1)	C_J	150							pF
Thermal Resistance	$R_{\theta JA}$	10							$^{\circ}C / W$
Operating Junction Temperature Range	T_J	-55 to +150							$^{\circ}C$
Storage Temperature Range	T_{STG}	-55 to +150							$^{\circ}C$

NOTES:

1. Measured at 1.0MHz and applied reverse voltage of 4.0 volt

10A05G~10A10G

RATING AND CHARACTERISTIC CURVES 500

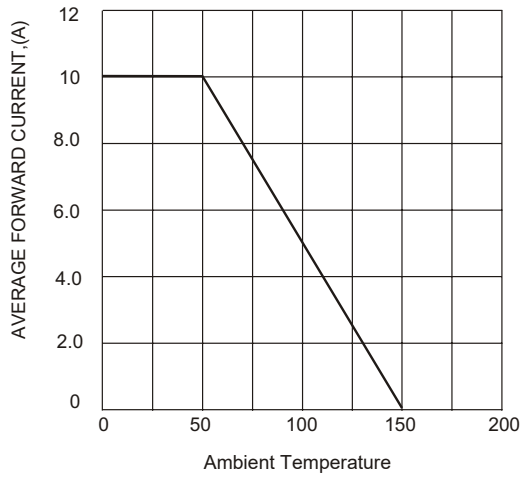


Fig. 1 Forward Current Derating Curve

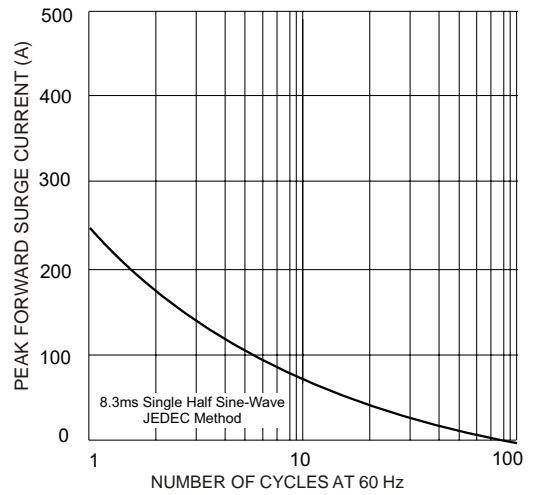


Fig. 2 Surge Current Derating Curve

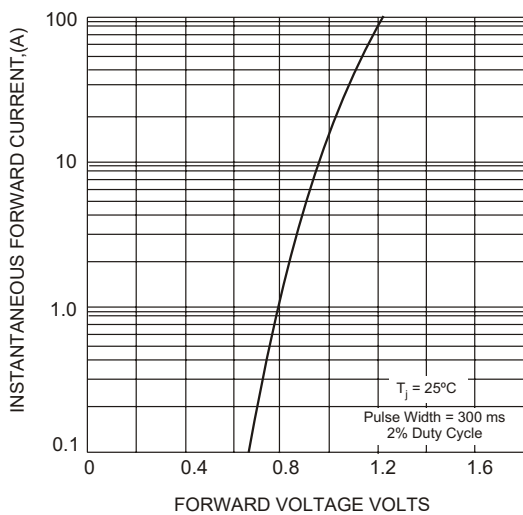


Fig. 3 Typical Forward Characteristics

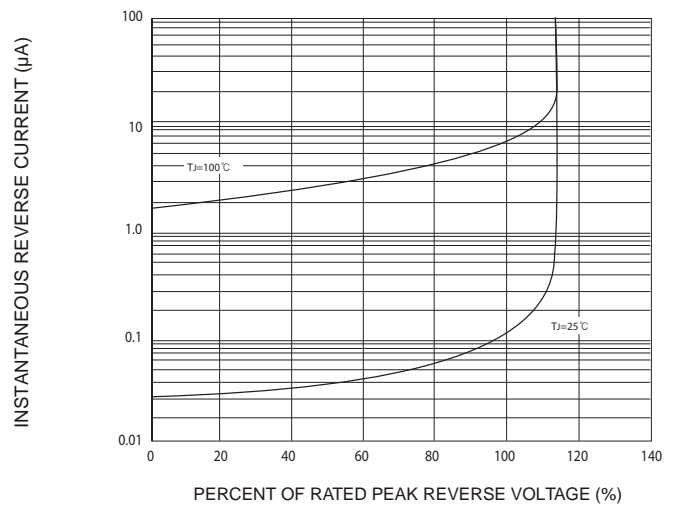


Fig. 4 Typical Reverse Characteristics

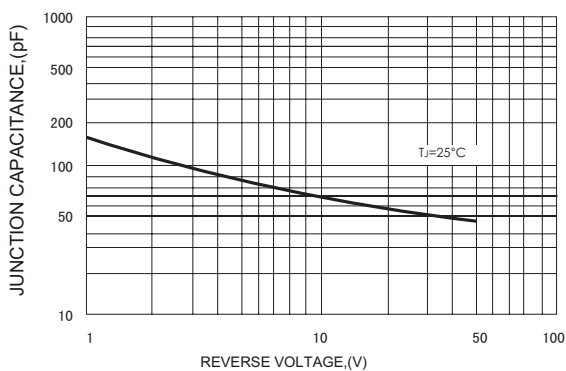


Fig. 5 Typical Junction Capacitance

10A05G~10A10G

ORDER INFORMATION

- Packing information

Part Number	Case	Reel Size	QUANTITY
10A05G~10A10G	R-6	13 Inch	500