



# Solid State Devices, Inc.

14701 Firestone Blvd \* La Mirada, Ca 90638  
Phone: (562) 404-4474 \* Fax: (562) 404-1773  
ssdi@ssdi-power.com \* www.ssdi-power.com

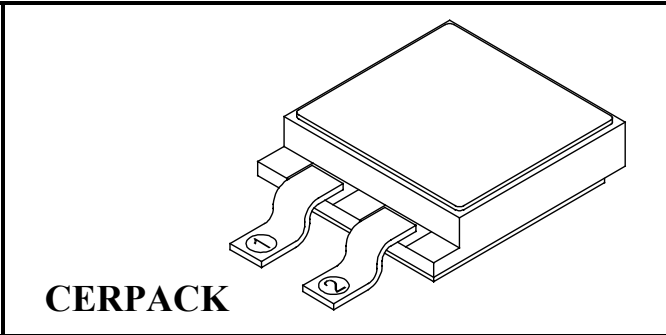
**SSR0508G  
SSR0509G  
SSR0510G**

## Designer's Data Sheet

### FEATURES:

- Extremely Low Forward Voltage Drop
- Low Reverse Leakage
- Hermetically Sealed Package
- Guard Ring for Overvoltage Protection
- Eutectic Die Attach
- 175°C Operating Junction Temperature
- TX, TXV, or Space Level Screening Available

**5 AMP  
80 – 100 VOLTS  
SCHOTTKY RECTIFIER**



## MAXIMUM RATINGS

RATING	SYMBOL	VALUE	UNIT
Peak Repetitive Reverse Voltage and DC Blocking Voltage	$V_{RRM}$	80	Volts
SSR0508G	$V_{RWM}$	90	
SSR0509G	$V_R$	100	
SSR0510G			
Average Rectified Output Current (Resistive Load, 60Hz, Sine Wave, TA=25°C)	$I_O$	5	Amps
Peak Surge Current <sup>1/</sup> (8.3 ms Pulse, Half Sine Wave, superimposed on $I_O$ , allow junction to reach equilibrium between pulses, TA=25°C)	$I_{FSM}$	200	Amps
Operating and Storage Temperature	$T_{OP}$ & $T_{STG}$	-65 to +175	°C
Maximum Thermal Resistance Junction to Case	$R_{\theta JC}$	1.2	°C/W

Notes: 1/ For optimal performance, leads 1 & 2 should be connected.

NOTE: All specifications are subject to change without notification. SCD's for these devices should be reviewed by SSDI prior to release.

DATA SHEET #: RS0193C

DOC



**Solid State Devices, Inc.**

14701 Firestone Blvd \* La Mirada, Ca 90638  
 Phone: (562) 404-4474 \* Fax: (562) 404-1773  
 ssdi@ssdi-power.com \* www.ssdi-power.com

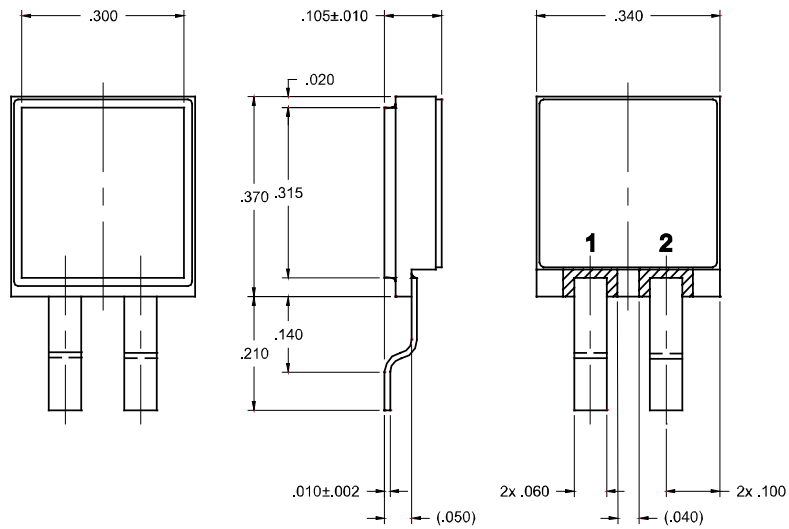
**SSR0508G**  
**SSR0509G**  
**SSR0510G**

**ELECTRICAL CHARACTERISTICS**

CHARACTERISTICS	SYMBOL	MAXIMUM	UNIT
<b>Instantaneous Forward Voltage Drop</b> ( $I_F = 1 \text{ Adc}$ , $T_A = 25^\circ\text{C}$ , Pulse) ( $I_F = 5 \text{ Adc}$ , $T_A = 25^\circ\text{C}$ , Pulse)	$V_{F1}$	0.56 0.72	Vdc
<b>Instantaneous Forward Voltage Drop</b> ( $I_F = 5 \text{ Adc}$ , $T_A = -55^\circ\text{C}$ , Pulse)	$V_{F2}$	0.87	Vdc
<b>Reverse Leakage Current</b> (Rated $V_R$ , $T_A = 25^\circ\text{C}$ , Pulse)	$I_{R1}$	100	$\mu\text{A}$
<b>Reverse Leakage Current</b> (Rated $V_R$ , $T_A = 100^\circ\text{C}$ , Pulse)	$I_{R2}$	5	mA
<b>Junction Capacitance</b> ( $V_R = 10 \text{ Vdc}$ , $T_A = 25^\circ\text{C}$ , $f = 1 \text{ MHz}$ )	$C_J$	400	pF

**Case Outline- CERPACK**

**PIN 1- ANODE**  
**PIN 2- ANODE**  
**BOTTOM- CATHODE**



Note: For optimal performance, connect anode terminals together.